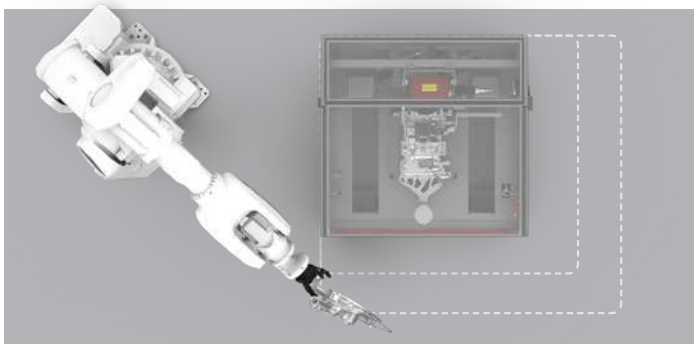




AUTOMATED DOOR MACHINE

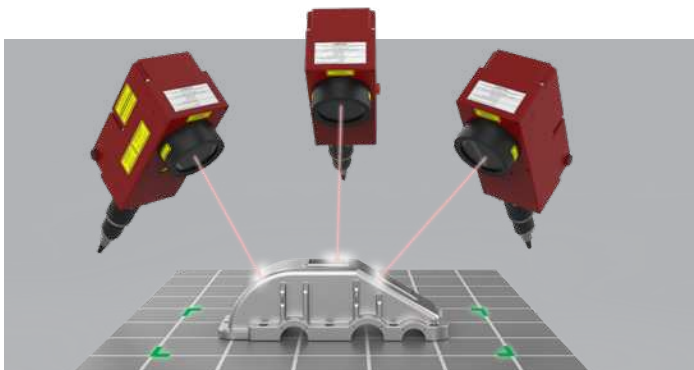
The Automated Door Machine is our most flexible solution as it is fully customizable in shape and comes with a lot of options. It is perfectly suited when you have enough idle time from the robot to allow it to drop the part in a fixture and wait for the marking to be completed.

The ADM exploits a simple and reliable door mechanism to receive parts from any preferred direction. It has the versatility to mark various parts by simply changing fixtures. Multi-part marking is also achievable with the use of optional automatic drawer and gantry system.



SCALABLE TO FIT ANY PART SIZE

The Automated Door Machine can be sized up or down to adapt to the shape of the parts to be marked. A simple fixturing system allows you to run multiple parts within the same machine with very little changeover time required.



COMPATIBLE WITH ANY MARKING LOCATION

The automated door machine offers great versatility. It can be customized to position the laser marking head in many orientations, hence allowing you to mark parts in the desired area.



FLEXIBLE PART LOAD DESIGN

To offer maximum flexibility, the ADM comes with multiple part loading configurations. The robot can present part from the front, left and right side or the top granting you many options for optimizing your plant layout.



CUSTOMIZE TO YOUR SPECIFIC NEEDS

Batch marking is made easy with the available automatic drawer feature. To offer a large effective marking area, the laser marker can also be mounted on a gantry system allowing it to etch multiple parts within the same sequence.

AUTOMATED DOOR MACHINE	
Laser Power	20 to 500W
Laser Type	Ytterbium-doped fiber
Wavelength	1064 nm
Laser Source MTBF	100,000 hours
Marking Process	Etching, engraving, annealing
Typical Weight	770 kg
Cooling	Air cooling
Power Requirements	120V, 230V, 240V / 15-40 AMP
Power Consumption	1.5 kW to 5.8 Kw
Operating Temperature	10°C to 45°C
Communications	Ethernet/IP, PROFINET
Multi-Parts Marking	Performed with Fixturing
Part Size (W x D x H)	1000 mm x 920 mm x 230 mm
Part Material	Aluminium, Zinc, Magnesium, Steel, Iron (All Metals)
Marking Surface Roughness (Positioning) Tolerance	Standard +/- 3 mm (Without Autofocus) Engraving +/- 1.5 mm (Without Autofocus) Up to +/- 10 mm with 3D Autofocus
General Dimensions (W x D x H)	1400 mm x 1270 mm x 2000 mm



TYPICAL DIMENSIONS

