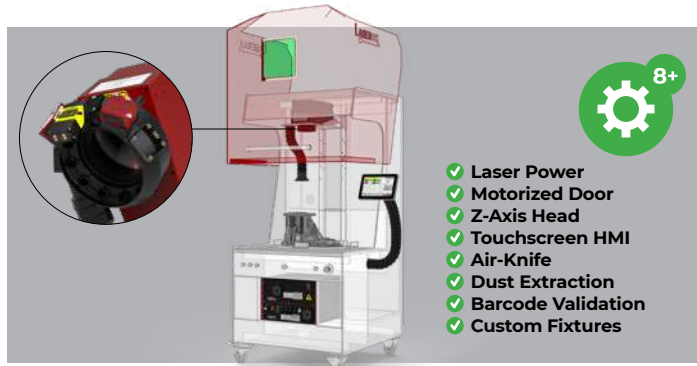




# FLEX LASER MARKING WORKSTATION

Designed for batch marking, the Flex is an ergonomic Class-1 laser marking workstation that allows you to select and pay only for the features you need. Operated manually by default, the workstation can also be automated and motorized. This includes operations like opening the door, loading the part and launching laser marking.

The Flex can even be upgraded to a fully inline & robotic solution to ramp up production. It offers the Laserax advanced laser technology while requiring minimal investment.



## THE FEATURES YOU NEED

Pick only the features and options you need, including the laser power, automation level, user interface, dust management, and barcode validation. You can always add other features later to meet evolving marking and operative requirements.



## COST-EFFECTIVE

Benefit from the Laserax unmatched performance while minimizing your investment for part traceability. On equal wattage, our marking speed outperforms the competition every time. Our advanced features also offer the most consistent marking quality with a near-perfect readability rate.



## UP AND RUNNING IN NO TIME

The Flex workstation is easy to use, delivered preconfigured and ready for immediate production. Laserax experts provide real-time support and training through our secure remote access.



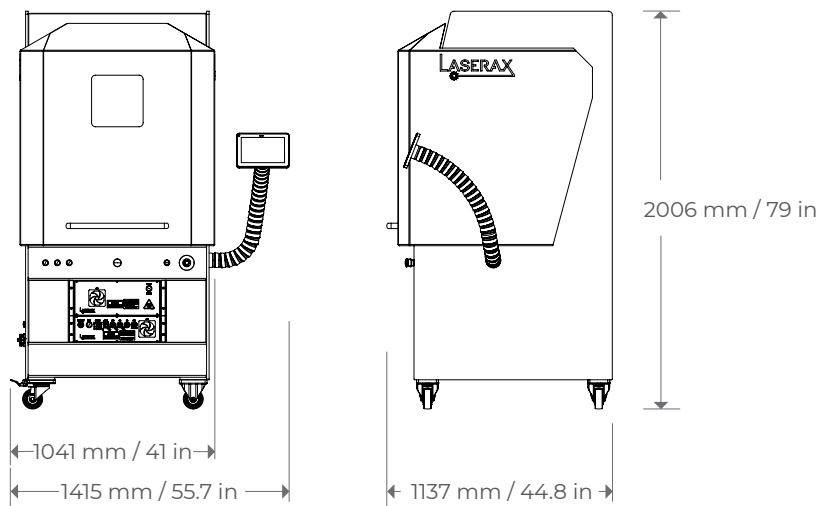
## READY FOR INLINE INTEGRATION

Configure the workstation for different types of parts with the intuitive touch-screen HMI. Operators only need to choose the part in the HMI to automatically adjust the laser.

STANDARD FLEX WORKSTATION	
Laser Power	20W, 30W, 50W, 100W
Laser Type	Ytterbium-doped fiber
Wavelength	1064 nm
Laser Source MTBF	100,000 hours
Marking Process	Etching, engraving, annealing
Typical Weight	650 kg
Cooling	Air cooling
Power Requirements	120V, 230V, 240V / 15-40 AMP
Power Consumption	1.5 kW to 5.8 kW
Operating Temperature	10°C to 35°C
Communications	Ethernet/IP, PROFINET
Multi-Parts Marking	Performed with fixturing
Door Opening Duration	3 s
Maximum Part Dimensions (W x D x H)	650 x 600 x 370 mm
Part Material	Aluminium, Zinc, Magnesium, Steel, Iron (All Metals)
Marking Surface Roughness (Positioning) Tolerance	+/- 3 mm
General Dimensions (W x D x H)	1400 x 1200 x 2000 mm



TYPICAL DIMENSIONS



INDUSTRIAL LASER SOLUTIONS  
VISIT LASERAX.COM

LASERAX HEADQUARTERS

101-2811 Watt Ave  
Quebec, QC G1X 4S8  
Canada  
+1 418 780-7324

LASERAX USA

2401 Parkman Road  
Warren OH 44485  
United States  
+1 412 301-9957

LASERAX GMBH

Fehrenheitstraße 1  
28359 Bremen  
Germany  
+49 421 2208-121