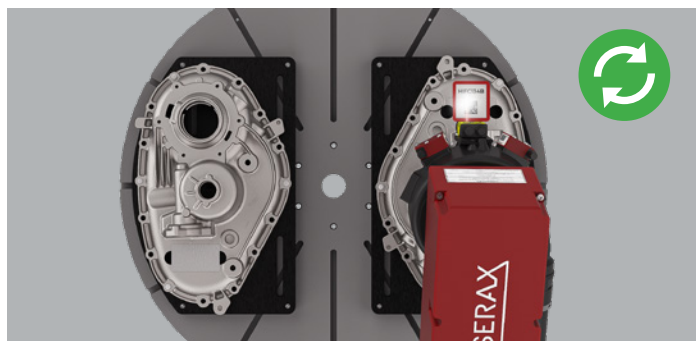




# ROTARY LASER MARKING WORKSTATION

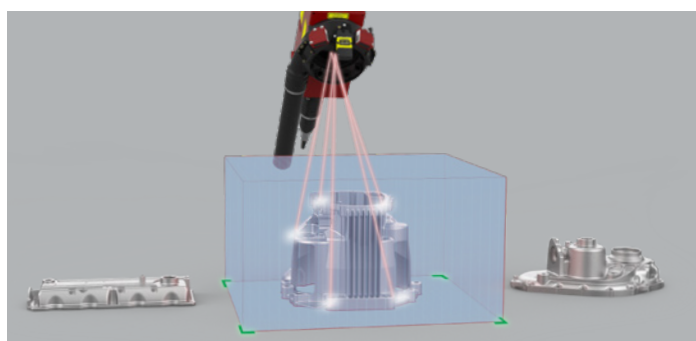
The Rotary Workstation is a semi-automatic laser marking machine designed to combine the speed of dual position marking station with the flexibility offered by an operator. It is ideal for applying permanent traceability on parts when the available cycle time is limited.

This laser machine allows operators to load and unload fixtured parts while a similar one is marked at the same time inside its rugged and 100% laser safe enclosure. Once marking is completed and barcode quality control is achieved, the operator manually triggers a new cycle.



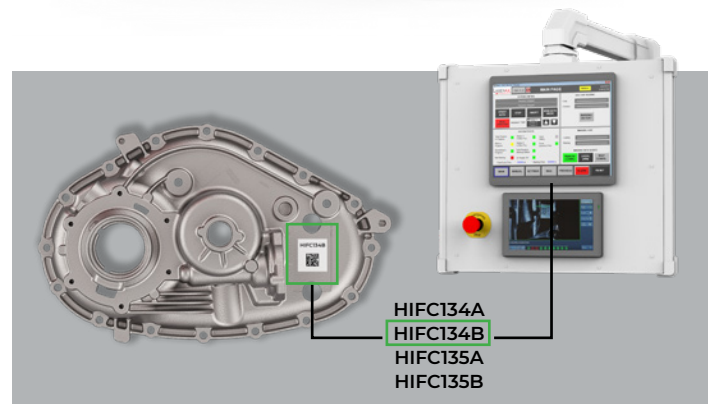
## MAXIMIZE OPERATOR THROUGHPUT

The Rotary Workstation offers the highest throughput of all manually loaded machines. It is the go-to laser machine when you are batch producing parts and need to allow your operator to multi-task within a short available cycletime.



## FAST & FLEXIBLE PART CHANGEOVER

Switch from one production to another with an intuitive fixturing system combined to Laserax unique 3D autofocusing capabilities. With Laserax's automated part detection, no external input from your operator is required when going through a changeover.



## STANDALONE SERIALISATION

Apply dependable traceability to your product by avoiding human error. This laser machine has the capability to generate unique part identification without needing any external entities. It is easily interfaced to your PLCs, ERPs and SCADA systems.



## INDUSTRIAL GRADE

With its solid steel frame and industrial grade components, the Rotary Workstations is built to offer you peace of mind for the next ten years. It is specifically designed to operate 24/7 in harsh hot and dusty environments.

## GENERAL SPECIFICATIONS

### STANDARD ROTARY TABLE WORKSTATION

<b>Laser Power</b>	20W to 500W
<b>Laser Type</b>	Ytterbium-doped fiber
<b>Wavelength</b>	1064 nm
<b>Laser Source MTBF</b>	100,000 hours
<b>Marking Process</b>	Etching, engraving, annealing
<b>Typical Weight</b>	875 kg
<b>Cooling</b>	Air cooling
<b>Power Requirements</b>	120V, 230V, 240V / 15-40 AMP
<b>Power Consumption</b>	1.5 kW to 5.8 Kw
<b>Operating Temperature</b>	10°C to 45°C
<b>Communications</b>	Ethernet/IP, PROFINET, Profibus
<b>Multi-Parts Marking</b>	Performed with fixturing
<b>Turn Table Diameter (Larger Diameter Available)</b>	800 mm
<b>Revolving Duration</b>	3 s
<b>Part Size</b>	Adaptable
<b>Part Material</b>	Aluminium, Zinc, Magnesium, Steel, Iron (All Metals)
<b>Marking Surface Roughness (Positioning) Tolerance</b>	Standard +/- 3 mm Engraving +/- 1.5 mm Up to +/- 70 mm with 3D Autofocus
<b>General Dimensions (W x D x H)</b>	1400 x 1200 x 2100 mm



## COMPLETE SOLUTION

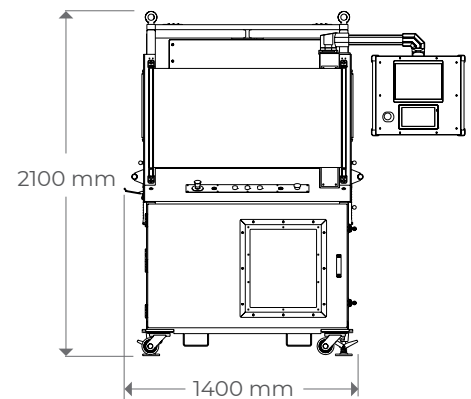
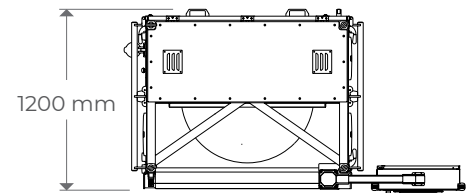
### Laser

- 20 to 500 W Laser power
- 2D or 3D Laser for multiple part configurations

### Station

- Class 1 Laser safe station
- Harsh environment rated
- Rugged welded steel construction
- Multiple part integrated jig racking available
- Integrated in IP66 control cabinet with cooling (IP54 AC or Vortex)
- Minimal footprint with integrated electrical cabinet and filtration unit
- PLC Controlled
- HMI control on swing arm available
- Safety light curtains for safe manual loading-unloading operations
- Safety PLC
- Air-knife unit for dust and contaminant protection (minimal lens maintenance)
- Code reading camera with quality metrics available
- Code reading interface screen available

## TYPICAL DIMENSIONS



**INDUSTRIAL LASER SOLUTIONS**  
VISIT [LASERAX.COM](http://LASERAX.COM)

#### LASERAX HEADQUARTERS

101-2811 Watt Ave  
Quebec, QC G1X 4S8  
Canada  
+1 418 780-7324

#### LASERAX USA

2401 Parkman Road  
Warren OH 44485  
United States  
+1 412 301-9957

#### LASERAX GMBH

Fehrenheidstraße 1  
28359 Bremen  
Germany  
+49 421 2208-121