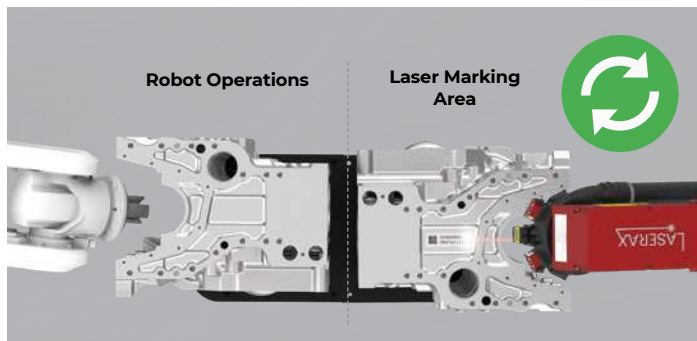




ROTARY TABLE MACHINE

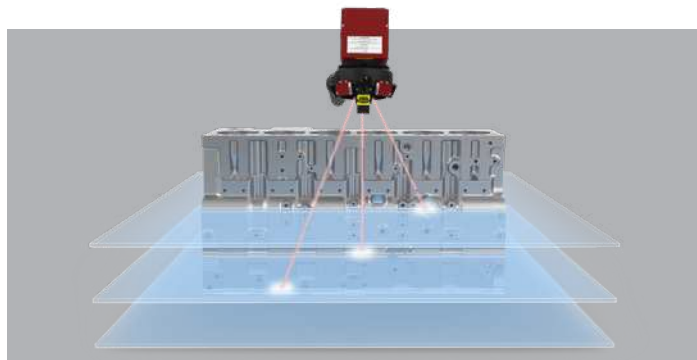
The Rotary Table Machine is a fully automated inline solution designed to optimize your marking cycle time. It is the go-to laser machine when only a few seconds are available to apply direct part marking or when deep laser etch is required.

The Rotary Table Machine is built for easy intergration inside the production line. This dual stage turn table leverages the robot assistance to both apply a laser mark while automatically loading and unloading fixtured parts at the same time.



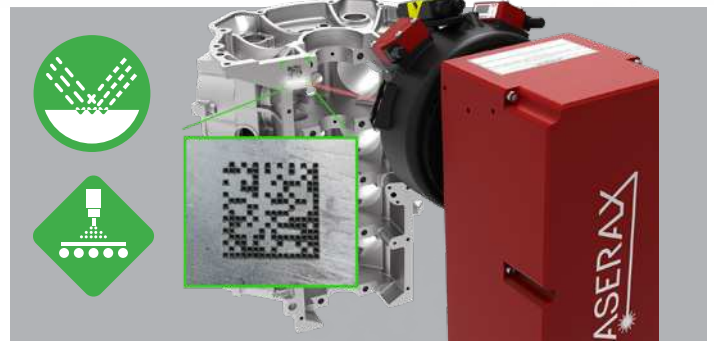
THE ABILITY TO CREATE CYCLE TIME

The RTM is the go-to solution when the required marking time exceeds the available robot idle time. Its dual position indexer allows the laser marking to occur in hidden time, adding just a few seconds of part loading to your cycle time.



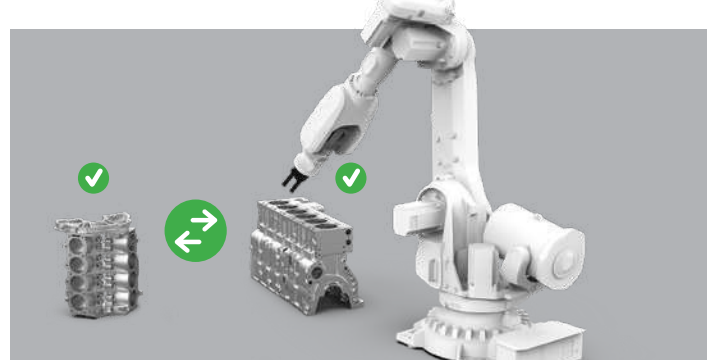
AUTOFOCUSING TECHNOLOGY FOR REPEATABLE MARKING

Because the part is as good as the mark, the RTM can be equipped with an advanced autofocusing system to automatically compensate for misalignment, thermal dilatation and shape fluctuation on a part by part basis.



IDEAL FOR COMPLEX MARKING OPERATIONS

Designed to make use of nearly 100% of the cell cycle time to allow longer laser processes such as large identifiers or shotblast and powder coat resistant marking that might require deeper engraving.



RAPIDLY ADAPTS TO MULTIPLE PARTS

Apply datamatrix and barcodes on a wide variety of parts. Rapidly switch from one production to another simply by changing fixtures. You can also customize the laser etch parameters through PLC communication or with our intuitive HMI.

STANDARD ROTARY TABLE MACHINE	
Laser Power	20 to 500W
Laser Type	Ytterbium-doped fiber
Wavelength	1064 nm
Laser Source MTBF	100,000 hours
Marking Process	Etching, engraving, annealing
Typical Weight	1000 kg
Cooling	Air cooling
Power Requirements	120V, 230V, 240V / 15-40 AMP
Power Consumption	1.5 kW to 5.8 Kw
Operating Temperature	10°C to 45°C
Communications	Ethernet/IP, PROFINET, Profibus
Multi-Parts Marking	Performed with fixturing
Turn Table Diameter (Larger Diameter Available)	800 mm
Revolving Duration	3 s
Part Size	Adaptable
Part Temperature	Up to 400 C
Part Material	Aluminium, Zinc, Magnesium, Steel, Iron (All Metals)
Marking Surface Roughness (Positioning) Tolerance	Standard +/- 3 mm Engraving +/- 1.5 mm Up to +/- 70 mm with 3D Autofocus
General Dimensions (W x D x H)	1250 mm x 900 mm x 3000 mm



COMPLETE SOLUTION

Laser

- 20 to 500 W Laser power
- 2D or 3D Laser for multiple part configurations

Station

- Class 1 Laser safe station
- Harsh environment rated
- Rugged welded steel construction
- Marks in hidden time, allowing the robot to perform other actions during marking
- Integrated in IP66 control cabinet with cooling (IP54 AC or Vortex)
- Minimal footprint with integrated electrical cabinet and filtration unit
- PLC controlled
- HMI control available on a separate 10" panel
- Safety PLC
- Air-knife unit for dust and contaminant protection (minimal lens maintenance)
- Code reading camera with quality metrics available
- Code reading interface screen available

TYPICAL DIMENSIONS

